

Plaisir®

Wall hung bowl

SM-WT660

Product Features

- Ceramic wall-hung toilet w/ glazed trapway
- Square bowl
- Concealed bolt holes
- L: 23" x H: 16" x W: 16.3" Inches. 7" rough-in.
- Compadible with all in-wall carrier brands
- Can be mounted at standard or ADA height (installation height of 15" to 19")

Flushing System

- High-performance, gravity flush
- 1.6 / 0.8 gpf (6 / 3 Lpf) dual-flush – EPA WaterSense, high-efficiency toilet (HET)
- Fully-glazed, 3.15" (80 mm) internal trapway

Accessories Included

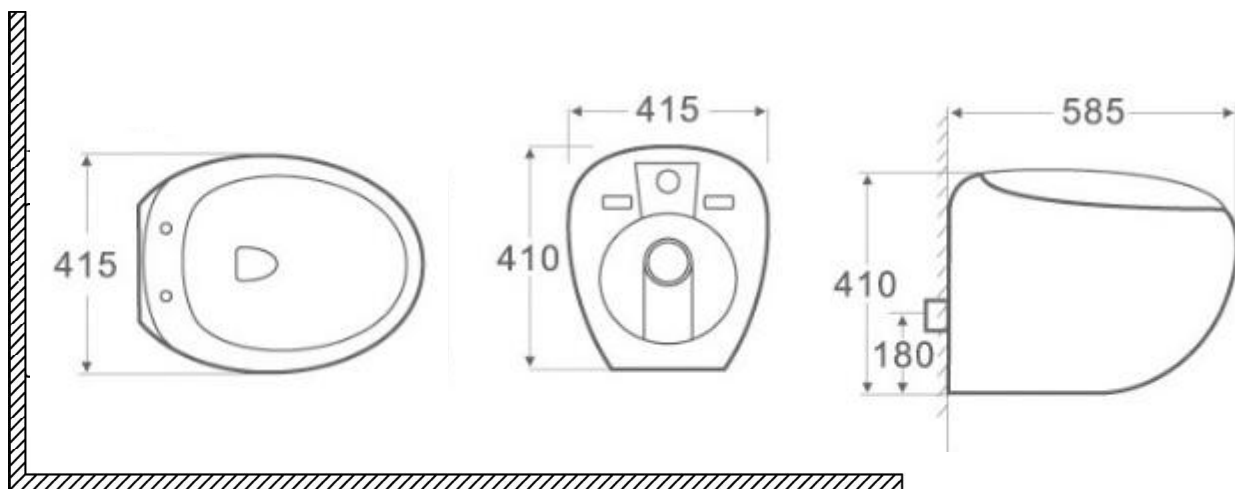
- Soft close toilet seat & Quick release hinges
- *Note:* In-wall carrier and actuator is not included.

Quality Assurance

- Factory water flush-tested
- Limited lifetime product warranty



Dimensional Diagram



Compliance Certifications

- ASME A112.19.2M
- CSA B45.1



Meets the Americans With Disabilities Act (ADA) guidelines and ANSI A117.1 requirements for accessible building facilities. Check local codes.